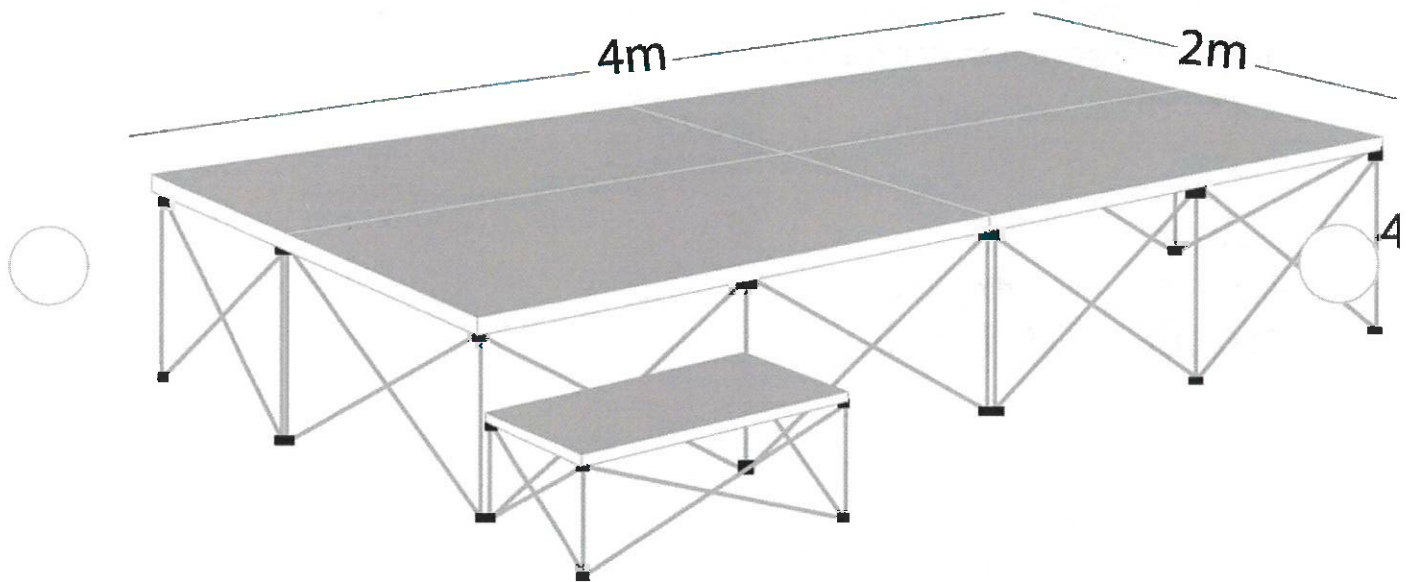




Home . School Furniture . School Portable Staging . Gopak Ultralight Staging Package A

Gopak Ultralight Staging Package A

Ultralight Package A



This website requires cookies to provide all of its features. For more information on what data is contained in the cookies, please see our Cookie Information page. To accept cookies from this site, please click the Allow button.

ALLOW



- Versatile and adaptable Gopak Ultralight staging package
- Ideal for use in educational environments, halls and conference centres
- Manufactured in the UK
- TUV certified for quality and safety
- Package includes: 4 x stage decks (200 x 100cm), 4 x stage risers (200 x 100 x 40cm), 1 x stage deck (100 x 52cm), 1 x stage riser (100 x 52 x 20cm), 1 x step, 2 x riser clamps and 1 x 5mm Allen key
- Features a lightweight yet robust concertina style aluminium frame
- Each component folds to 2 percent of its open size
- Quick and easy to set up, transport and store
- Can be assembled in a variety of different configurations or layouts
- Available in a choice of carpet colours or black vinyl
- 5 year warranty

Part No: 86334K

Excluding VAT

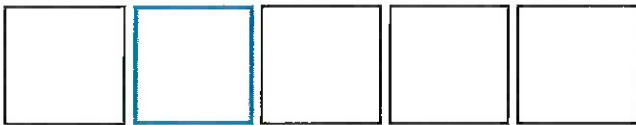
£2,432.00

Including VAT

£2,918.40

RRP ~~£6090.00~~

Select Colour - Black Vinyl



Estimated delivery: 15 working day(s)

- This item is flat packed
- Ground floor delivery
- Delivered FREE to UK mainland

This website requires cookies to provide all of its features. For more information on what data is contained in the cookies, please see our Cookie Information page. To accept cookies from this site, please click the Allow button.

ALLOW