

Sales - Quote

Ms. Sarah Erwin
Oakham Town Council
39 High Street
Victoria Hall, Oakham
LE15 6AH

Quote No. SQ246988-2
Sell-to Contact No. 32698
Quote Date 23-05-2019
Expiration Date 04-10-2019

Sales Support Kerry Bowers
E-Mail kerkow@kompan.com
Phone No. 01908 207 429

Project Name ENN11232 GIANT SWING CHANGE OVER

No.	Description	Quantity	Unit of Measure	Unit Price	Amount
INSTALL SPECIAL	Order related Installation ARF1352 Remove Giant Swing Install New Giant Swing Surface repair	1	Pieces	4,915.00	4,915.00
M98301-1009	KOMPAN Giant Swing c/w rope birds nest Galvanised, inground	1	Pieces	10,120.00	10,120.00
					
FREIGHT	Freight	1	Pieces	657.80	657.80
				Total GBP Excl. VAT	15,692.80
				20% VAT	3,138.56
				Total GBP Incl. VAT	18,831.36

Payment Terms Net 30 days

Customer responsible for offloading; however KOMPAN can provide a quotation for a Hiab delivery upon request.

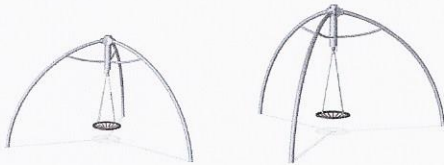
Thank you for giving KOMPAN the opportunity to provide you with a quotation. This quote is valid for 30 days and if you have any questions, please do not hesitate to contact us.

If the Payment Terms state Prepayment, please be aware, that your order will not be manufactured before Prepayment has been received.

M983

Giant swing with nest

KOMPAN
Let's play



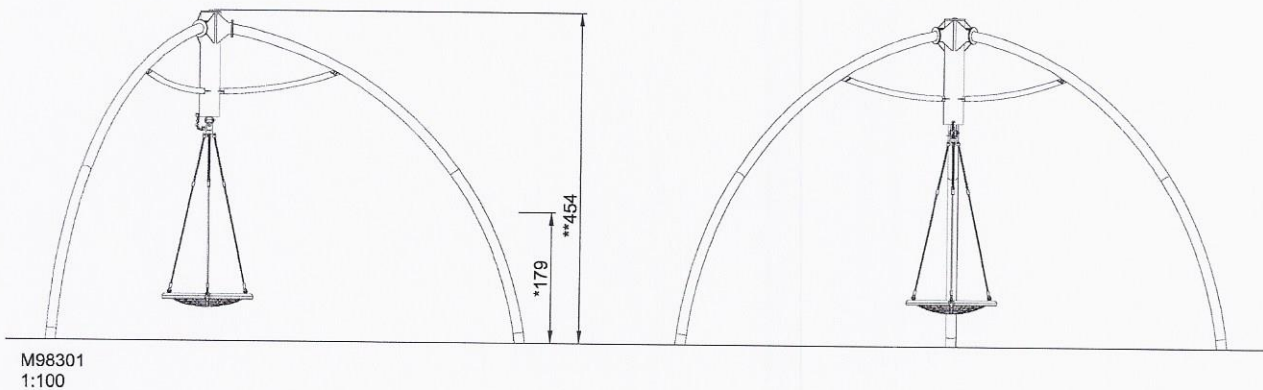
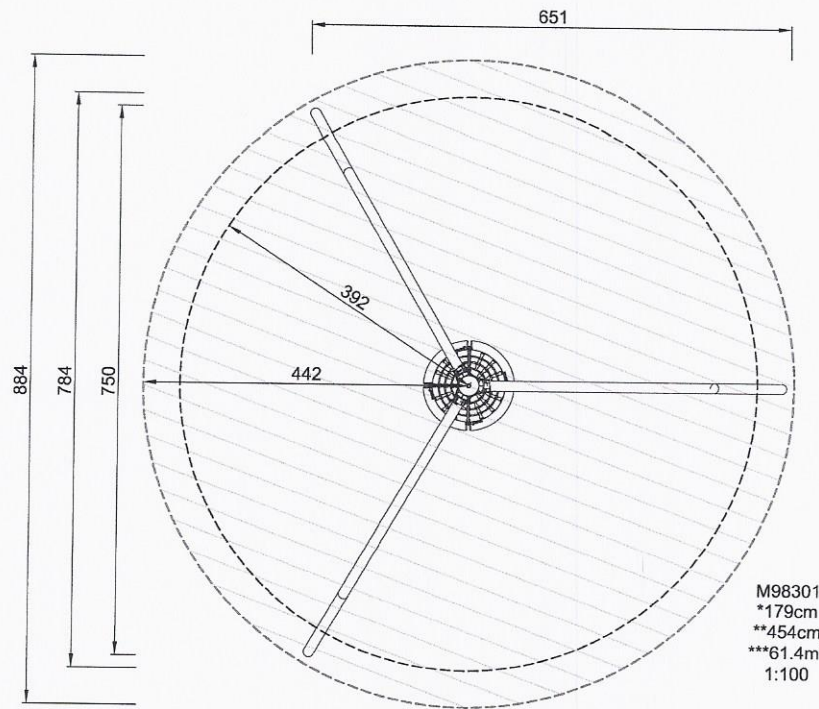
Tripod 360 Nest Swing, Galvanized & Ø120cm, Red Birds Nest Rope Seat

Product Line	Traditional Play
Category	Swings
Age from	6 - 15
Max. fall height (CM)	179
Total height (CM)	454
Safety Zone	61.4 m ²



INCLUSIVE





* = Highest designated play surface.
** = Total height of product.

Weight/heaviest parts	kg.	Installation (Manpower)	Persons
Concrete required	NaN m ³	Installation (Hours)	Hours
Foundation amount/footing	NaN	Excavation	NaN m ³